

High Quality, Excellent Performance

MADE IN
JAPAN



IC-M220

Compact Body

(W x H x D; 156.5 x 66.5 x 110.1 mm; 6.2 x 2.6 x 4.3 in)

Easy Installation in Limited Space

Powerful Front Mount Speaker
Delivers Loud and Clear Audio

Built-in Class D DSC with a CH70
Dedicated Receiver

Intuitive Operation with
Icom's Marine User Interface

Easy-to-Read Full Dot-Matrix Display

HM-237B Detachable
Hand Microphone Supplied

IPX7 Submersible Construction
(1 m depth of water for 30 minutes)

AquaQuake™ Prevents Audio Degradation
from a Water-Logged Speaker

Made in Japan Quality and Reliability

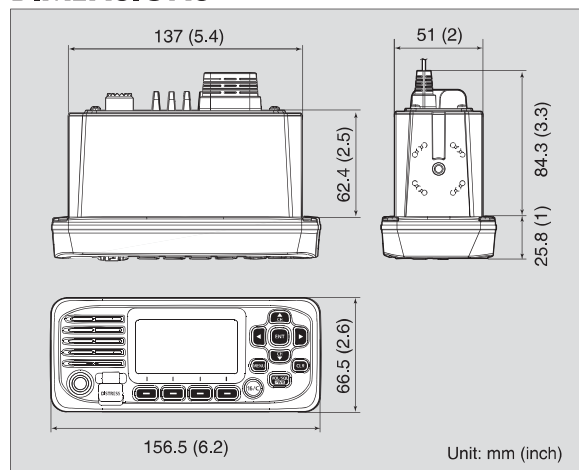
And more

- Common NMEA interface for external GPS/NAV connection
- MA-500TR Class B AIS transponder compatible
- Tag scan and favorite channel functions
- Dual/tri-watch function for monitoring CH16 and/or call channel
- Priority scan function
- Display and keypad backlighting
- External speaker connection
- Weather channel with weather alert

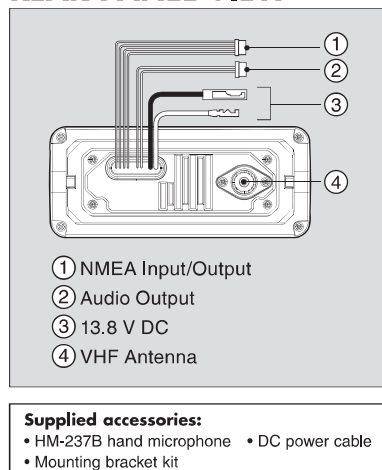
OPTIONS

<p>CLASS B AIS TRANSPONDER</p>  <p>MA-500TR</p>	<p>HORN SPEAKER</p>  <p>SP-37</p>	<p>FLUSH MOUNT KIT</p>  <p>MBF-5</p>	<p>HM-237B HAND MICROPHONE Same as supplied.</p>
--	---	--	---

DIMENSIONS



REAR PANEL VIEW



SPECIFICATIONS

GENERAL		
Frequency range	Tx	156.025–157.425 MHz
	Rx	156.050–163.275 MHz
	CH70	156.525 MHz
Usable channels	USA, CAN, INT, WX channels	
Type of emission	16K0G3E (FM), 16K0G2B (DSC)	
Power supply requirement	13.8 V DC nominal (11.7–15.9 V DC)	
Current drain (at 13.8 V DC)	Tx 25 W output	5 A
	Rx AF max.	1.2 A
Operating temperature range	–20°C to +60°C; –4°F to +140°F	
Antenna impedance	50 Ω (SO-239)	
Dimensions (W×H×D) (projections not included)	156.5 × 66.5 × 110.1 mm;	
	6.2 × 2.6 × 4.3 in	
Weight (approx.)	700 g; 1.5 lb (with HM-237B)	
NMEA formats	Input	RMC, GGA, GNS, GLL, VTG
	Output	DSC, DSE, RMC, GSA, GSV

TRANSMITTER	
Output power (at 13.8 V DC)	25 W, 1 W
Max. frequency deviation	±5 kHz
Frequency tolerance	±5 ppm
Spurious emissions	Less than –60 dBc

RECEIVER		
Sensitivity	Main	–13 dBμ typ. (12 dB SINAD)
	DSC	–5 dBμ emf typ. (1% BER)
Squelch sensitivity	Less than –10 dBμ	
Adjacent channel selectivity	Main	More than 68 dB
	DSC	More than 68 dBμ emf (1% BER)
Intermodulation	Main	More than 63 dB
	DSC	More than 55 dBμ emf (1% BER)
Hum and noise	More than 40 dB	
Audio output power (at 10% distortion, 4 Ω load)	4.5 W typical	

Measurements made in accordance with TIA/EIA-603. All stated specifications are subject to change without notice or obligation.

Applicable IP Rating

Ingress Protection Standard	
Water	IPX7 (Waterproof protection)



Designed, engineered and Made in Japan.

Icom has its own manufacturing facilities in Japan. All Icom products are tested to pass rigorous in-house tests as well as environmental tests at the Wakayama Icom plant before shipping.



The "3D GENUINE Icom label" is attached to the rear panel. Check the Icom website for details: <http://www.icom.co.jp/world/genuine-info/>

Icom, Icom Inc. and Icom logo are registered trademarks of Icom Incorporated (Japan) in Japan, the United States, the United Kingdom, Germany, France, Spain, Russia, Australia, New Zealand and/or other countries. AQUAQUAKE is a trademark of Icom Incorporated. All other trademarks are the properties of their respective holders.

Icom Inc. 1-1-32, Kamiminami, Hirano-Ku, Osaka 547-0003, Japan Phone: +81 (06) 6793 5302 Fax: +81 (06) 6793 0013

www.icom.co.jp/world **Count on us!**

Icom America Inc.
www.icomamerica.com

Icom (Europe) GmbH
www.icomeurope.com

Icom (Australia) Pty. Ltd.
www.icom.net.au

Your local distributor/dealer:

Icom Canada
www.icomcanada.com

Icom Spain S.L.
www.icomspain.com

Icom Brazil
E-mail: sales@icombrazil.com

Icom (UK) Ltd.
www.icomuk.co.uk

Icom France s.a.s.
www.icom-france.com