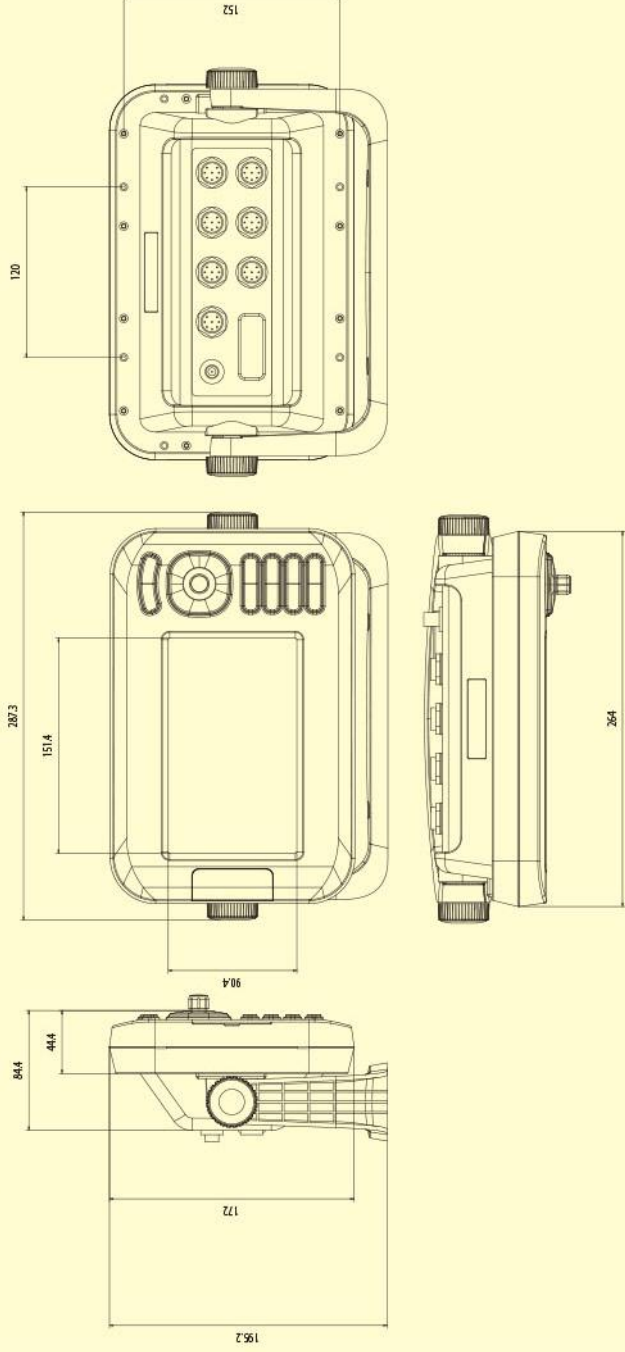
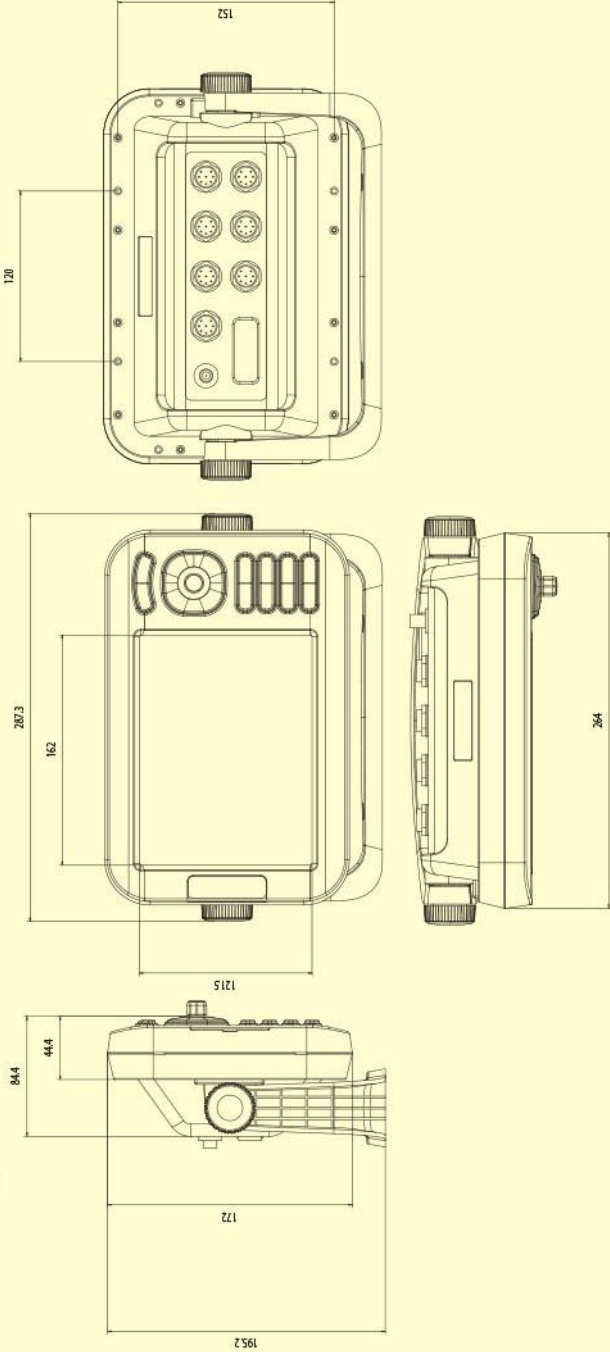


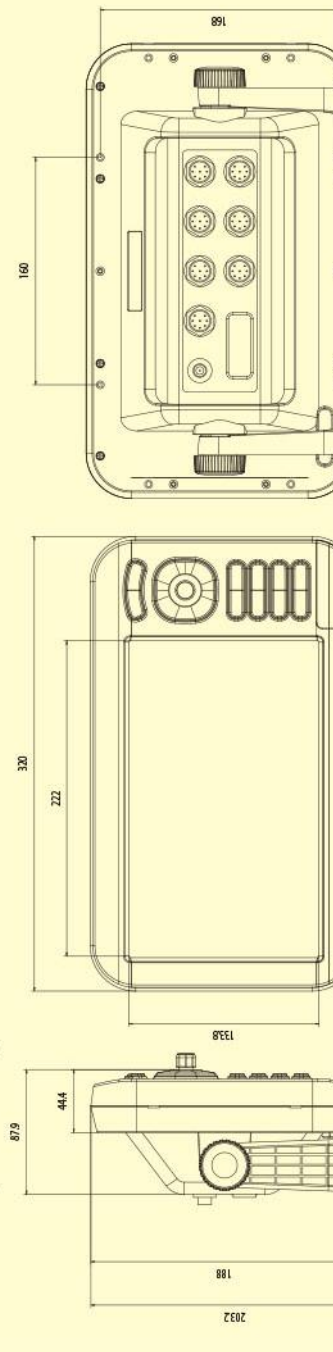
### Dimension(Smart 7)



### Dimension(Smart 8)



### Dimension(Smart 10)



### GENERAL SPECIFICATION

1. Display Screen
  - Smart 7 : 7 inch color LCD with LED backlight
  - Smart 8 : 8 inch color LCD with LED backlight
  - Smart 10 : 10.1 inch color LCD with LED backlight
2. Resolution
  - Smart 7 : WVGA (800 X 480 pixels)
  - Smart 8 : SVGA (800 X 600 pixels)
  - Smart 10 : WVGA (800 X 480 pixels)
3. Power Supply
  - DC 12V~36V(±10%)
4. Operating Temperature
  - Display Unit -15°C~+50°C
  - Antenna Unit -25°C~+70°C
5. Performance Standard
  - IMO Resolution MSC.112(73)

### GPS RECEIVER SPECIFICATION

1. GNSS Receiver Capabilities
  - GPS
  - GLONASS
  - QZSS
  - Galileo
2. Number of Channel
  - 52 channels
3. Horizontal Positioning Accuracy
  - Autonomous 2m
4. Sensitivity
  - Acquisition -147dBm
  - Tracking -157dBm
  - Reacquisition -147dBm
5. Nav Update
  - 1Hz, 5Hz
6. Support
  - DGPS
  - SBAS(EGNOS, WAAS)

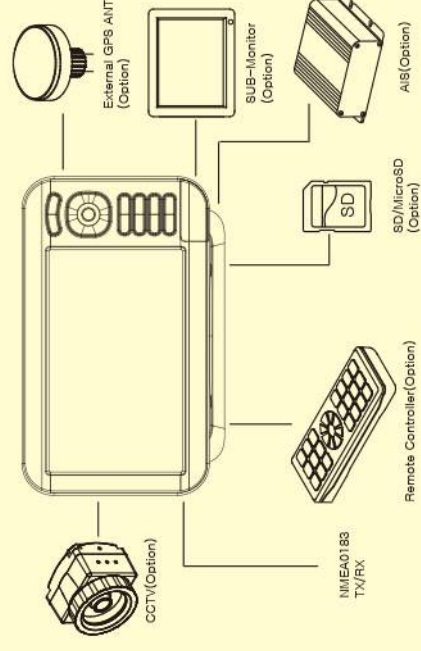
### CHARTPLOTTER SPECIFICATION

1. Display Method
  - Mercator Projection
2. Display Mode
  - True motion / N/S/E/W up / Course up / Head up
3. Latitude Limits
  - Between 85° N to 85° S
4. Map Scale
  - 0.05nm to 1500nm
5. Map Datum
  - WGS-84
6. Waypoint
  - 30,000 points
7. Track Point
  - \*Total of 16 colors and 16 icons are selectable each point with name tag (8 alphanumeric characters)
8. Route
  - 50,000 points( 2 types)
  - Max capacity 100 Routes
9. Draw Point
  - \* 20 WPTs per each Route. Each with name tags (8 alphanumeric characters)
10. Area Name
  - 1,000 points
11. Chart Data
  - 1,000 points
12. Output Data
  - HY-MAP(Built-in or External)/ C-MAP/ Navionics
13. Input Data
  - NMEA-0183
  - NMEA-0183
14. Alarm
  - Arrival, Anchor, XTE, Interval timer, Userline

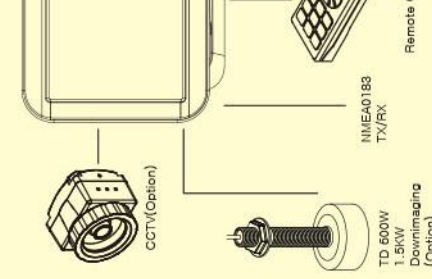
### SONAR SPECIFICATION

1. Display Mode
  - Normal (single/duo)
  - Bottom-zoom, Parallel
2. Frequency
  - Fishfinder : 50 KHz
3. Output Power
  - DownImaging : Over 1.5KW
  - 600W/ 1.5KW
4. Range
  - 600W : 2.5m ~ 600m
  - 1.5KW : 2.5m ~ 1.2km
5. Image speed
  - Fixed 8 speeds (4/8 and stop)
6. Rejection
  - Interferences rejection
  - Noise rejection: 40dB
7. Function
  - Gain(auto/manual)
  - Shift(auto/manual)
  - Support speed sensor

### Interconnection(Chartplotter)



### Interconnection



- Optimum Veiwimg LED Backlight*
- Low Power Consumption*
- Real Time Recording*
- Tracking up to 5 vessels independently*



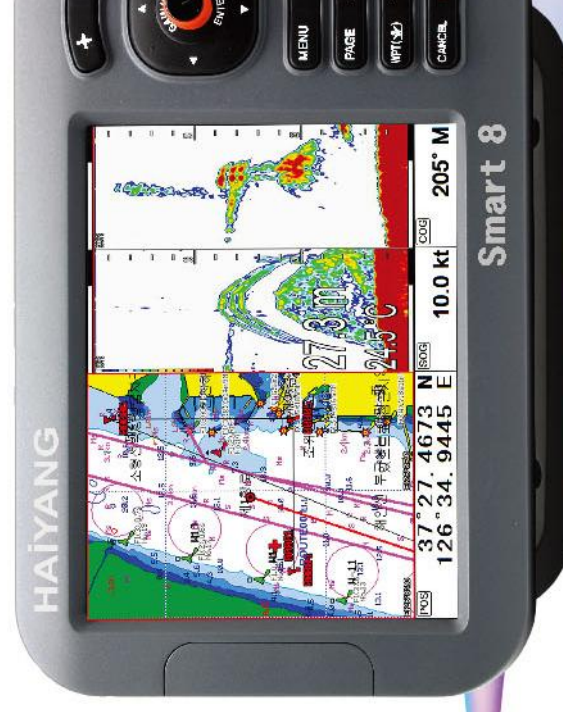
**HD-770CF**  
(Combo)



**HD-770C**  
(Standalone Chartplotter)



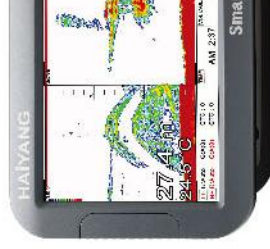
**HD-770F**  
(Standalone Fishfinder)



**HD-880CF**  
(Combo)



**HD-880C**  
(Standalone Chartplotter)



**HD-880F**  
(Standalone Fishfinder)

**CHARTPLOTTER SPECIFICATION**



**LED Backlight Display**

Super wide color LED backlight provides the optimum viewing under direct sunlight.



**Internal GPS ANT standard**

New Haiyang's internal GPS ANT, accuracy of the position. Real-time head-moving is available.  
- DGPS  
- SBAS(WAAS, etc.)



**Various Chart Systems**

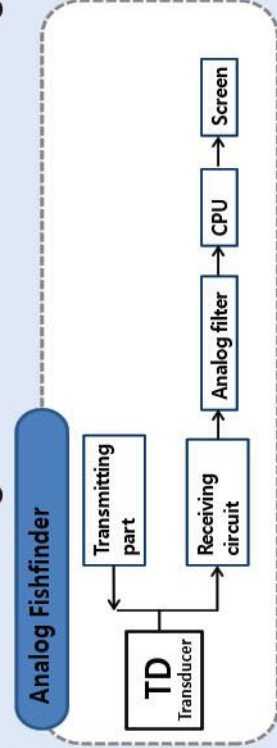
Three chart systems C-MAP or NAVIONICS HY Chart(Inter/Exter) are available. The most suitable chart is chosen by the user. Lots of information such as buoys, lighthouses, wrecks and tides are provided.



**SD(Normal/Mini) support**

**FISHFINDER SPECIFICATION**

**What is "Digital fishfinder technology"?**



**Scrolling The Passed Image**

**Windows OS**

Easy operation with Turbo keys on Windows.



**Multi-language**

Selection of languages, Korean, English, Italian, Spanish, Chinese, Taiwanese, Vietnamese, Arabic, Thai, Greek, Turkish, Malay, Indonesian, Aarbic, Indian(Hindi, Gujarati) Persian etc.



**Various AIS information**

When connecting AIS, sorting MMSI, Ship's name, nationality, CPA, etc available. Additionally, easy measuring the distance of other ships available with AIS radius. Tracks the movement of up to 5 vessels with track history and optional live details on individual vessels.

