

Model : HS-45C / HIS-45A



HS-45C
(4.3 inch Chartplotter)



HIS-45A
(4.3 inch Chartplotter / AIS)

General Features



LED Backlight Display

Wide color LED Backlight Display is ultra bright for the optimum viewing under direct sunlight.



High Speed CPU

High speed CPU is built-in. High speed zoom-in/out, high speed moving cursor, various harbor information available.



Providing the detailed cartography

HY MAP provides the detailed cartography and lots of information such as bouys, lighthouse, wrecks, tides for safe navigation.



Outdoor use

Water/Dust resistant protect against dust, rain or wave in rough condition.

AIS Combination Feature

◆ Chartplotter feature support

Chartplotter features support such as GOTO, mark, track, etc.

◆ Tracking up to 5 vessels independently

Tracking targets up to 5 vessels with the track history and monitoring AIS on target by each vessel.

◆ Easy to see AIS information

Listing of all vessels with name, MMSI, range and bearing, with full details on each vessel and ability to show different types of vessel by colour, nationalities (up to 4 nationalities) by national flags, and different types of transmission by icon.

◆ Advanced AIS performance

HIS-45A receives and processes all AIS messages and efficiently receives and decodes all AIS message types.



103-903 Bucheon Technopark 22 Samjakro Ojeonggu
Bucheon Gyeonggi, Korea

TEL : +82 32 327 4712

FAX : +82 32 327 4713

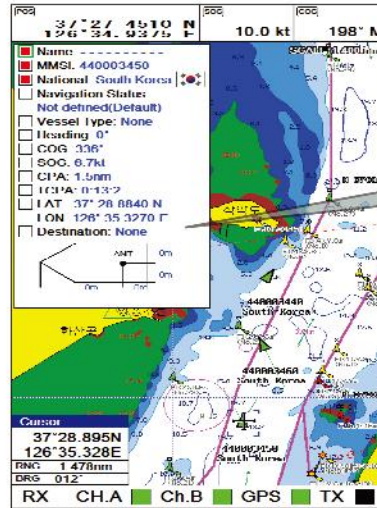
Web-site : <http://www.haiyang.co.kr>

Display Specifications (HS-45C/45A)

Display screen	4.3 inch color LCD with LED back-light
Power supply	DC 12V~36V
Operating Temperature	Display Unit -15°C~+50°C
	Antenna Unit -25°C~+70°C
Performance Standard	IMO Resolution MSC.112 (73)
Display Method	Mercator projection
Display Mode	True motion/North up/Course-up/Head up
Latitude Limits	Between 85° N to 85° S
Map Scale	0.05nm~1,500nm
Map Datum	WGS-84
Waypoint	20,000 point
Track Point	50,000 point
Route	Max capacity 100 Routes *20 WPTs per each Route. Each with name tags (8 alphanumeric characters)
Chart Data	Built-in
Output Data	NMEA-0183
Input Data	NMEA-0183
Alarm	Interval timer AIS (CPA, TCPA)

AIS Specifications (HIS-45A only)

Connector	VHF ANT (PI-259)
	GPS ANT (BNC)
Frequency	156.025MHz~162.025MHz
	- Default channel 88B, AIS (162.025MHz)
	- Default channel 87B, AIS(161.975MHz)
Channel Spacing	25KHz
Frequency stability rate	±10PPM (-20°C~+60°C)
Data Rate	25kHz GMSK (AIS, TX and RX)
	25kHz AFSK (DSC, RX only)
Sensitivity	107dBm (Message error rate : 20%)
Display stats	On, TX, RX1, RX2
Output power	Up to 5W (33dBm±1.5dB)
Demodulation	GMSK

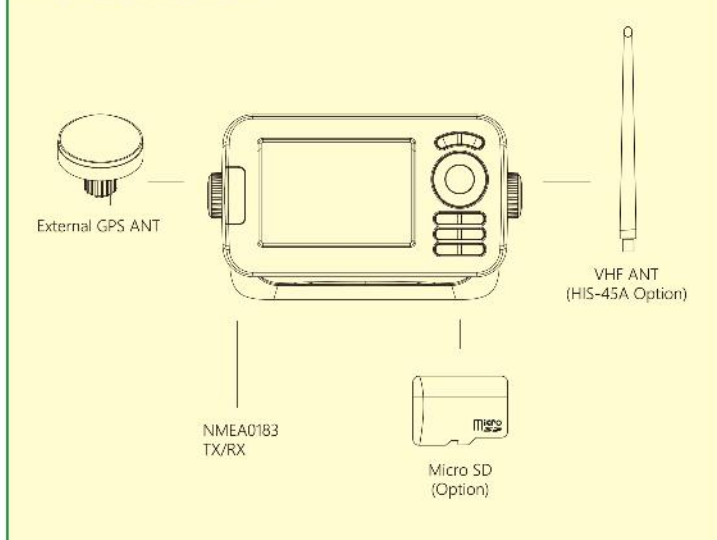


AIS INFO Window

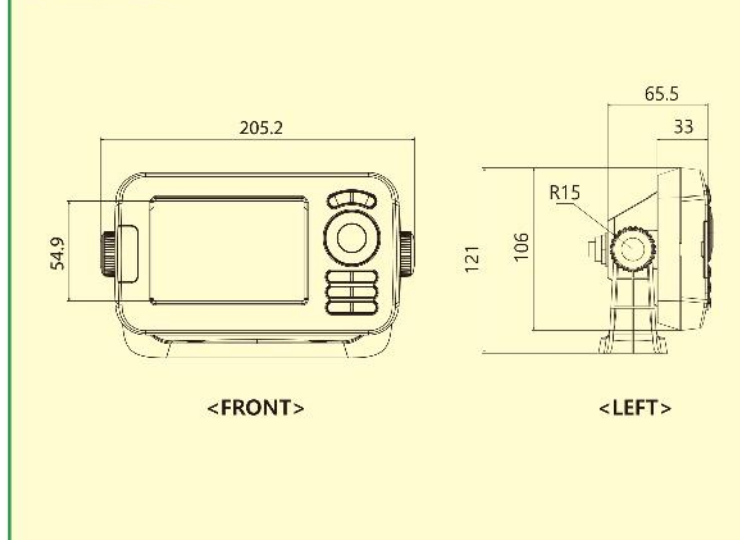
GPS Specifications (HS-45C/45A)

Receiver Frequency	L1 1575.42 MHz (C/A)
Number of Channel	Over 50 channel
Accuracy	Position 2.5m CEP
Sensitivity	Acquisition -148 dBm / Tracking -165
Data Update Rate	1 Second

Interconnection



Dimension



*SPECIFICATIONS SUBJECT TO CHANGE WITHOUT NOTICE

Certified to ISO 9001/2000

04723H Printed in Korea

Haiyang OLIX CO., LTD.
 103-903 Bucheon Technopark 22 Samjakro Ojeonggu
 Bucheon Gyeonggi, Korea
 Tel : +82 32 327 4712 Fax : +82 32 327 4713
 Web-site : <http://www.haiyang.co.kr>
 E-mail : sales@haiyang.co.kr

